

Receiver

From

Society
Reference
Address
Phone
Fax
E-mail

Item n° :

60185581

Model :

GENIX WL 130

Pump data

Min. fluid temperature :	0 °C
Max. fluid temperature :	50 °C
Max. Ambient temperature :	25 °C
Min. Temperature operating :	5 °C
Max Flow :	6,9 m³/h
Max. Head :	8 m
Max. Head (EN12050-3) :	6 m

Requested data

Flow :	
Head :	
Fluid :	Dirty water
Fluid Temperature :	20 °C
Density :	0,998 kg/dm³
Kinematic viscosity :	1 mm²/s
Vapor pressure :	

Hydraulic data (duty point)

Flow :
Head :

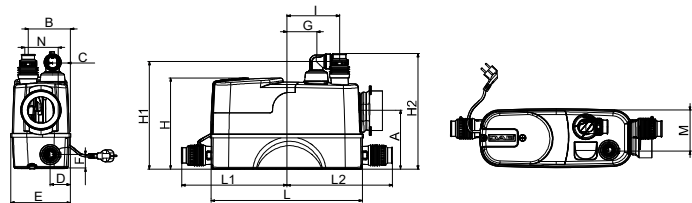
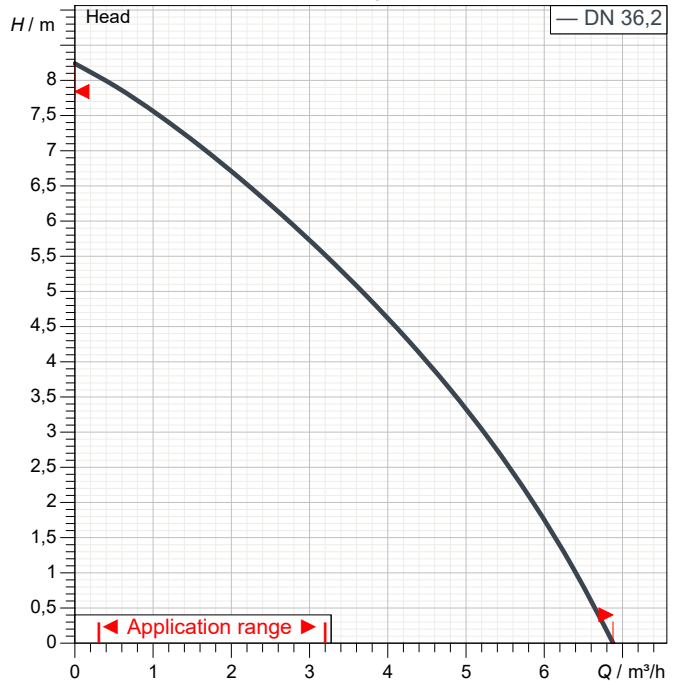
Materials

Impeller	Polypropylene 30% fiber glass
Tank	Polypropylene 30% Barium
Shaft	Stainless steel
Cover	Stainless steel
Soundproofing (COMFORT)	Polypropylene 70% Barium
Grinder	AISI 304/420
OR ring	NBR

Motor data

Motor brand :	DAB	
Nominal power P2 :	0,32 kW	
Rated speed :	2.900 1/min	
Rated voltage :	1~ 230 V	50 Hz
Nominal current :	2,3 A	
Degree of protection :	IP 44	

Curve tolerance according to ISO 9906



Weight : 10,3 kg

Dimensions in mm

A	183	G	178	L1	322		
B	118	H	277	L2	307		
C	45	H1	323	M	118		
D	60	H2	351	N	87		
E	178	I	170				
F	42	L	456				

Pump connection

DN 22/25/28/32/36/40



PERFORMANCE CURVES

2019-12-03

Page 2 / 3

DAB PUMPS S.p.A.
Via Marco Polo, 14 - 35035 Mestrino (PD), Italy
Tel. +39 049 5125000 - Fax +39 049 5125950
www.dabpumps.com

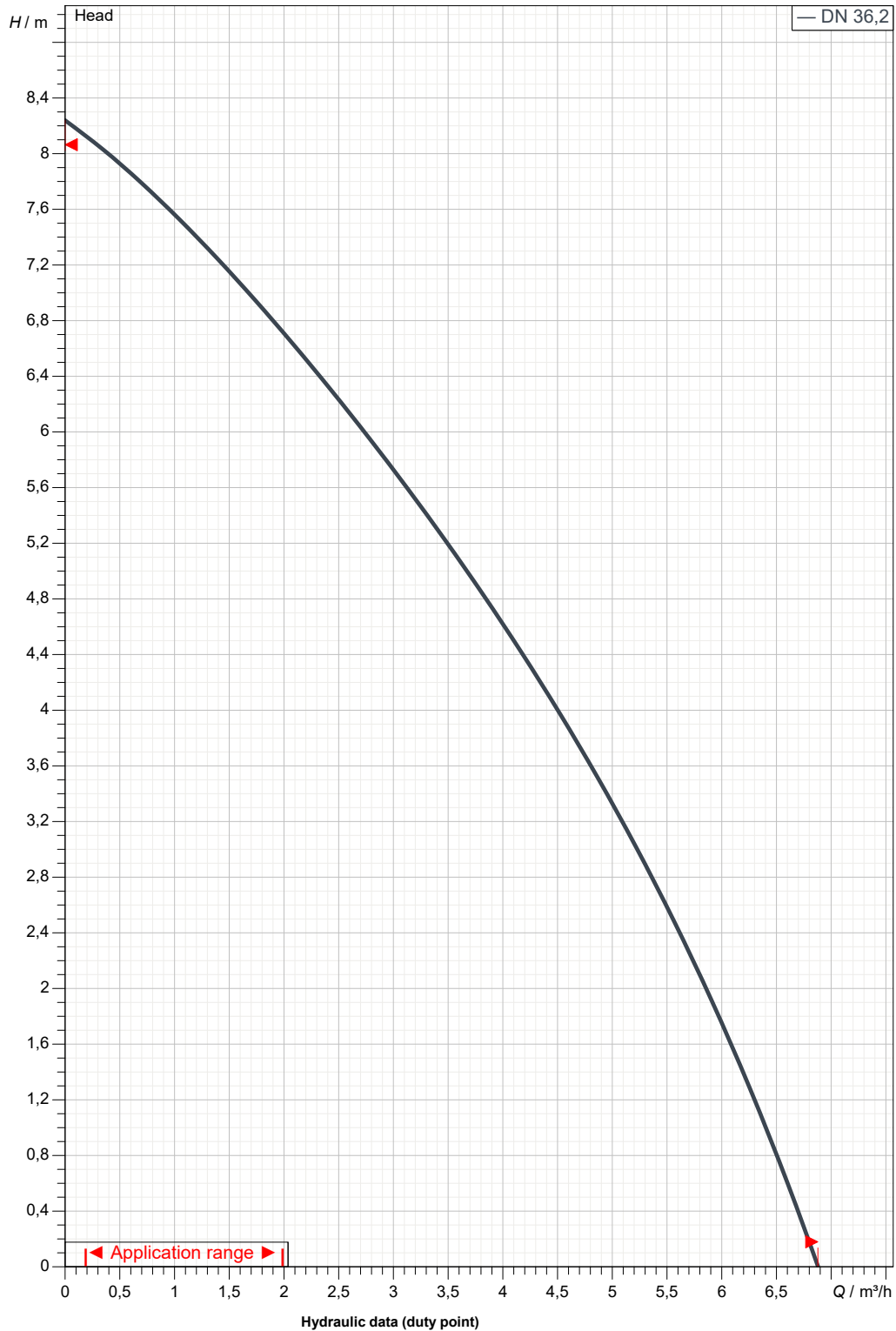
Receiver

From

Society
Reference
Address
Phone
Fax
E-mail

GENIX WL 130

Curve tolerance according to ISO 9906



Suction side :

Discharge side :

Flow :

Head :

Rated speed :

2.900 1/min

MAIN_PROJECT_TITLE

BUSINESS_PROCESS_ID

Progetto senza titolo 2019-12-03 05:48:34.33:

OWNER_

ISSUE_DATE

03/12/2019



DIMENSIONAL DRAWING

DAB PUMPS S.p.A.
Via Marco Polo, 14 - 35035 Mestrino (PD), Italy
Tel. +39 049 5125000 - Fax +39 049 5125950
www.dabpumps.com

2019-12-03

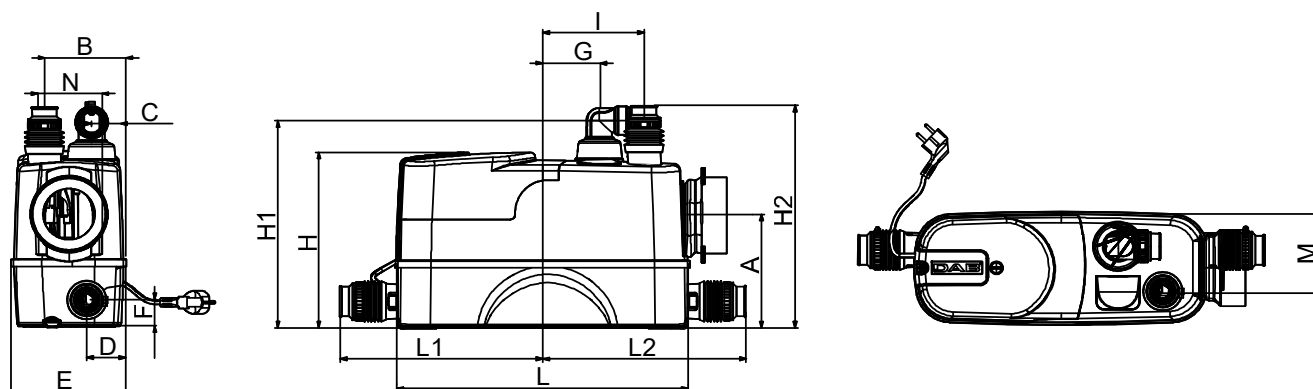
Page 3 / 3

Receiver

From

Society
Reference
Address
Phone
Fax
E-mail

GENIX WL 130



Dimensions in mm

Pump connection

1	A	183	L1	322	Suction
2	B	118	L2	307	
3	C	45	M	118	
4	D	60	N	87	
5	E	178			
6	F	42			
7	G	178			
8	H	277			
9	H1	323			
10	H2	351			
11	I	170			
12	L	456			
					Discharge

MAIN_PROJECT_TITLE

BUSINESS_PROCESS_ID

OWNER_

ISSUE_DATE

Progetto senza titolo 2019-12-03 05:48:34.33

03/12/2019